



2100 South Clearwater Drive  
Des Plaines, IL 60018  
Phone: 800-566-2100  
Fax: 847-803-5454  
www.geberitnorthamerica.com

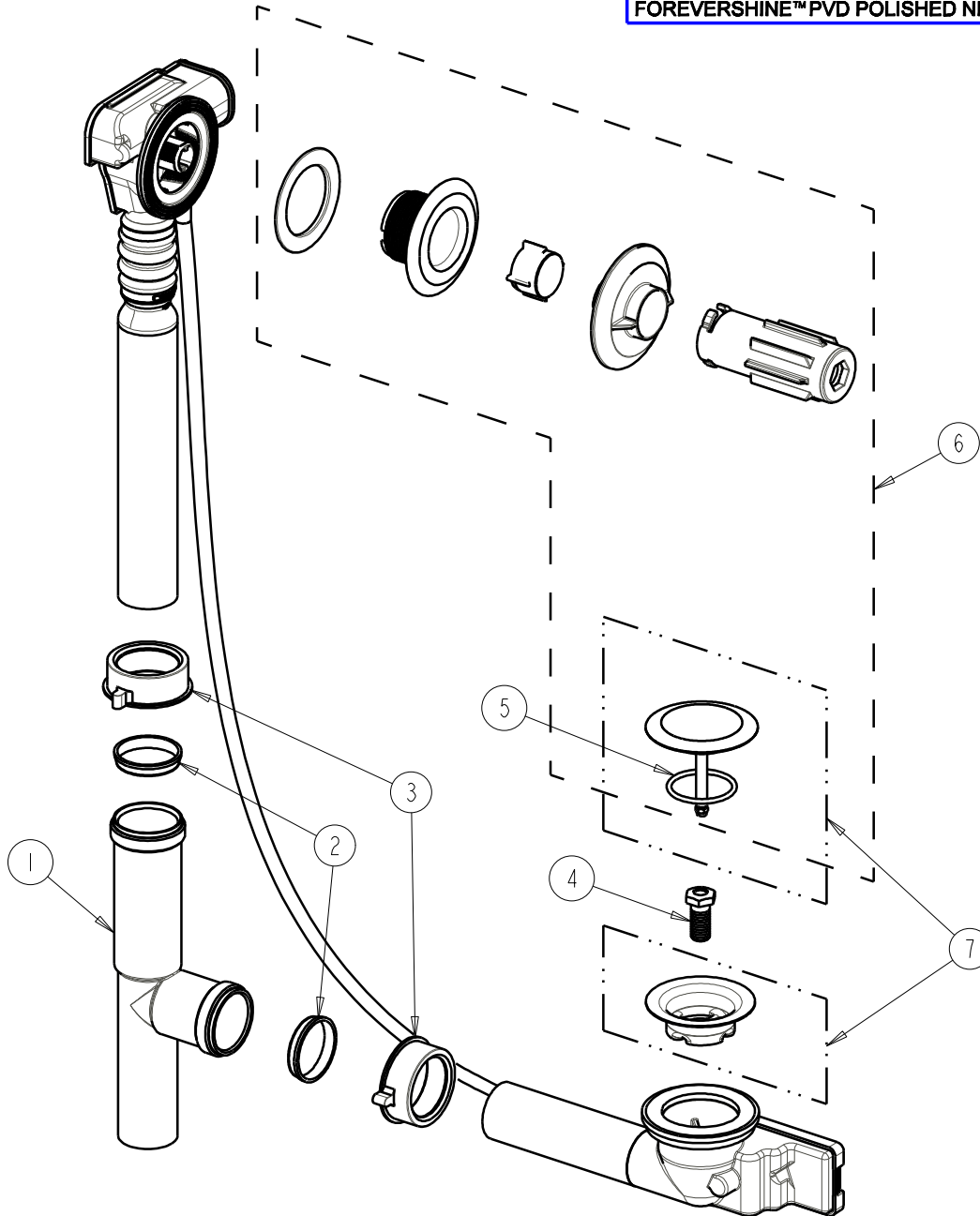
# REPAIR PARTS

FITTING NO.	
PUSH CONTROL PP METAL TRIM	
SUBMITTED MODEL NO.	
ITEM NO.	

**FOR TECHNICAL ASSISTANCE**  
1-800-TEC-TRUE (1-800-832-8783)

BY: SID	DATE: 03-19-08
CHK: <i>[Signature]</i>	REV:

FINISH DESCRIPTION	FINISH CODE
POLISHED CHROME	21
HARD COAT OIL RUBBED BRONZE	HM
FOREVERSHINE™ PVD BRUSHED NICKEL	ID
FOREVERSHINE™ PVD POLISHED NICKEL	IB



**NOTE:**  
PART NUMBERS WITH .XX. INDICATES FINISH CODE.  
REFER TO FINISH DESCRIPTION CHART FOR COMPLETE LIST OF AVAILABLE FINISHES.

ITEM	PART NO.	DESCRIPTION	ITEM	PART NO.	DESCRIPTION
1	241.618.00.1	TEE PVC D1.5"THDX1.5"THDX1.5"	5	241.610.00.1	O-RING NBR D39x3
2	241.619.00.1	COMPRESSION RING LDPE D1.5x1.5	6	241.726.XX.1	TRIM SERVICE KIT
3	241.620.00.1	NUT PP 1.5	7	241.728.XX.1	PLUNGER SERVICE KIT
4	865.066.22.1	DRAIN SCREW			