

# Wall-Hung Washdown Urinal Carrier

Replacement Parts for Wall-Hung Washdown Urinal Carrier 111.630.00.1\* and 111.650.00.1\*\*

Item No.	Model No.	Description	List Price
1	240.534.00.1	Mud guard protection housing cover	\$14.00
2	115.832.00.1	Mud guard protection housing, Plastic	17.00
3	240.035.00.1	Waterway control	53.00
3.1	241.060.00.1	Filter holder with regulating screw for flush controls	21.00
3.2	240.520.00.1	Filter for flush controls	9.00
3.3	240.871.00.1	Seal for controls, flat gasket	3.00
4	240.518.00.1	Dummy cover with seal for flush controls	19.00
5	241.061.00.1	Supply Inlet Nipple	16.00
6	240.522.00.1	Electronic insulation protection	12.00
7	240.315.00.1	Waste fitting outlet bend, PE; 1 x 90° bend with Ø2.48/1.97" (Ø63/50 mm)	24.00
7.1	152.693.00.1	Seal for connector, EPDM; for Ø1.97" (Ø50 mm) outlet	3.00
8	240.306.00.1	Protection Plug	2.00
9	152.950.11.1	Syphonic trap with horizontal outlet and seal, PE; with Ø1.97" (Ø50 mm) outlet	31.00
10	240.027.46.1	Cover caps, Plastic, Matte Chrome	6.00
11	242.045.00.1	Fixing, with plastic nuts, complete	14.00
11.1	242.046.00.1	Plastic union nuts for crossbar for fixing	11.00

Item No.	Model No.	Description	List Price
12	152.489.16.1	Supply inlet tube with seal, PE; with Ø1.34" (Ø35 mm) supply inlet	25.00
13	240.650.00.1	Flush pipe with 90 degree bend, Ø1.26" (Ø32 mm)	21.00
14	890.913.16.0	Flush pipe, Ø1.26" (Ø32 mm)	5.00
15	240.652.00.1	Pipe bracket Ø2.48" (Ø63 mm)	19.00

Replacement Accessories for Wall-Hung Washdown Urinal Carrier 111.630.00.1\* and 111.650.00.1\*\*

### Mounting Accessories for Carrier Frames



PE syphon trap with horizontal outlet and seal; Ø1.96" (Ø50 mm) outlet

152.983.00.1 31.00

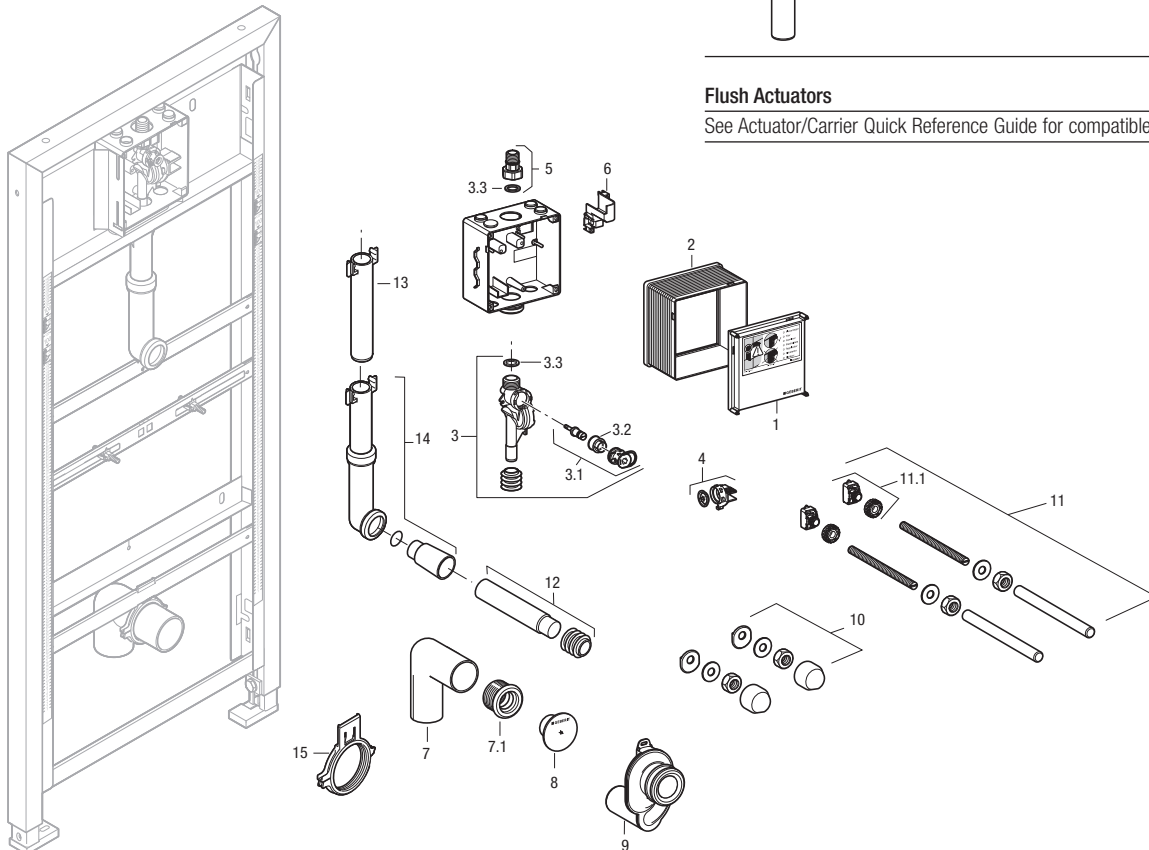


PE syphon trap with vertical outlet and seal; Ø1.96" (Ø50 mm) outlet

152.984.00.1 31.00

### Flush Actuators

See Actuator/Carrier Quick Reference Guide for compatible actuators



\* Inactive since 01/07

\*\* Inactive since 08/04