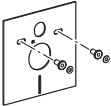



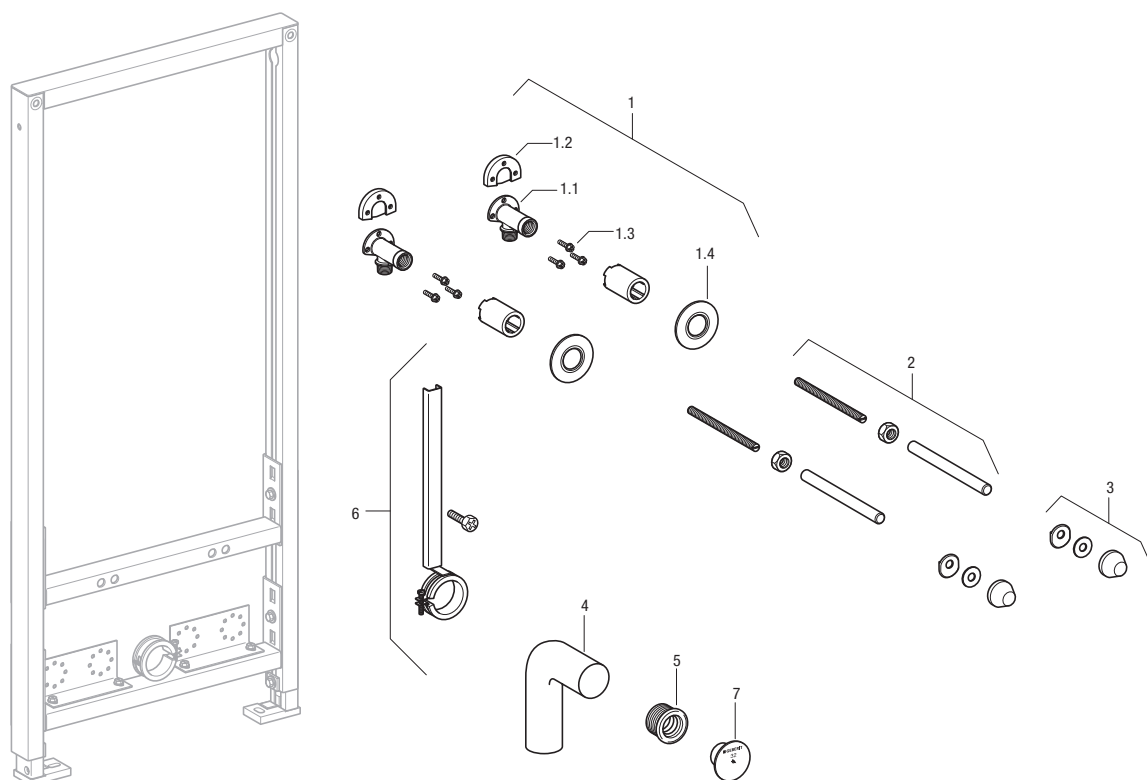
# Wall-Hung Bidet Carrier

## Replacement Parts for Wall-Hung Bidet Carrier 111.500.00.1\*

Item No.	Model No.	Description	List Price
1	465.034.00.1	Elbow supply fitting set, Gun Metal	\$33.00
1.1	602.287.00.1	Fitting body, Gun Metal	23.00
1.2	601.802.00.1	Sound insulation base, EPDM	2.00
1.3	216.197.00.1	Mounting Screws for water supply, self tapping	2.00
1.4	240.243.00.1	Seal washer, EPDM	3.00
2	240.189.00.1	Threaded rod for wall-mounted toilet or bidet installation, M12 x 7" (18 cm)	4.00
3	217.713.46.1	Cover caps with leveling washer, Plastic, Matte Chrome	5.00
4	361.080.16.1	Outlet bend 90°, Ø1.26" (Ø32 mm)	6.00
5	152.682.00.1	Outlet Seal, EPDM, Ø1.97" (Ø50 mm) tube	3.00
6	241.087.00.1	Pipe mounting bracket	11.00
7	240.306.00.1	Connection Plug	2.00

## Replacement Accessories for Wall-Hung Bidet Carrier 111.500.00.1\*

Bowl Connection Accessories			
Description	Model No.	List Price	
 Acoustic insulation set for wall-hung toilets and bidets	156.050.00.1	\$15.00	
 Cover caps with leveling washer, Plastic, Alpine White	217.713.11.1	5.00	



\* Inactive since 10/05